



Engine Parts

CATERPILLAR C15

*Proven, reliable and
always innovative.*

TRP® offers reliable aftermarket engine products designed and tested to match both OEM parts performance and life as well as exceed customer expectations for quality and value.



**OVERHAUL KITS • TURBOCHARGERS • CYLINDERS •
ENGINE COMPONENTS**



Tested. Reliable. Guaranteed.

Caterpillar C15 Engine Parts

Choosing the right replacement part or service for your vehicle—whether you own one, or a fleet—is one of the most important decisions you can make for your business. And, with tested TRP® parts it's an easy decision.

Regardless of the engine you use, TRP® quality replacement parts are engineered to fit. Choose the parts that give you the best value for your business. Check them out at an approved TRP® retailer near you.

The parts listed in this catalog are representative of the engine parts available, but not all inclusive of current and/ or future offerings.

All manufacturers' names, numbers, symbols and descriptions are for reference only. It is not implied that any part is the product of the manufacturer. Caterpillar® and Cat® are registered trademarks for Caterpillar Inc.

The cross reference information in this catalog is based upon data provided by several industry sources and our partners. While every attempt is made to ensure the information presented is accurate, we bear no liability due to incorrect or incomplete information.

Product Availability

Due to export restrictions and market demands, not all products are always available in every location. Check for availability in your area with your local TRP® Distributor.

No part of this marketing material may be reproduced in any manner without written permission from TRP® North America.

TABLE OF CONTENTS

CATERPILLAR C15 ENGINE PARTS

OVERHAUL KITS

- Inframe Kits 7
- Overhaul Parts 8
 - Overhaul 8

AIR MANAGEMENT COMPONENTS

- Turbochargers & Components 9
- Bolts 10
- Air Compressors & Components 10

COOLING SYSTEM COMPONENTS

- Thermostats & Components 11
- Water Pumps & Components 12

CRANKSHAFTS & COMPONENTS

- Crankshafts 14
- Crankshaft Parts 14

CYLINDER COMPONENTS

- Cylinder Packs & Kits 15

TRP® North America

750 Houser Way N.
Renton, WA 98057

www.trpparts.com

<u>Connecting Rods & Components</u>	16	<u>Solenoids</u>	26
Bolts.	16	<u>Terminals</u>	26
Pins	16	<u>Hardware</u>	27
<u>Liners & Components</u>	16		
<u>Pistons & Components</u>	17	ENGINE FLYWHEELS	
Pins	18	<u>Flywheels</u>	28
CYLINDER HEADS & COMPONENTS		FUEL SYSTEM COMPONENTS	
<u>Cylinder Heads</u>	19	<u>Injectors & Components</u>	29
<u>Cylinder Head Components</u>	20	Bolts.	30
Nuts	20	Sleeves	30
Spacers	21	<u>Fuel Pumps & Components</u>	30
Studs	21		
Washers.	21	ENGINE PARTS	
		<u>Related Parts</u>	31
ENGINE BLOCKS & COMPONENTS		Bolts.	33
<u>Engine Blocks</u>	22	Grommets	33
<u>Camshafts & Components</u>	22	Nuts	33
<u>Oil Coolers & Components</u>	22	Pins	33
Install Kits	22	Spacers	33
<u>Oil Pans</u>	23	Studs	34
Bolts.	23	Washers.	34
<u>Related Parts</u>	23		
		CROSS REFERENCE	
ENGINE BRAKES & COMPONENTS		<u>OEM/ MFR Cross Reference</u>	35
<u>Tune Up Kits</u>	24		
<u>Exhaust Brakes</u>	24	INDEXES & TABLES	
<u>Engine Brake Parts</u>	25	<u>Part Number Index</u>	38
<u>Air Cylinders</u>	26	<u>Subject Index</u>	41
		<u>Tables</u>	42

TRP[®] ENGINE PARTS

TRP[®] Aftermarket Parts for trucks, trailers and buses are available through a network of authorized retailers that include Kenworth, Peterbilt and DAF dealerships around the world. From dump trucks to cement mixers, delivery vans to tractor-trailers, school buses to transit buses of any age, TRP[®] offers reliable aftermarket products that are designed and tested to not only meet OEM specifications, but to exceed customers' expectations regardless of which major manufacturer makes their vehicles.

CONFIDENCE FOR THE ROAD AHEAD

Drivers and their vehicles — from trucks, trailers and buses — are constantly being tested. Whether it's the elements — the schedule — or the terrain, you must be prepared. The TRP[®] line of parts and service is engineered to withstand those tests — and exceed them.

TRP[®] is dedicated to providing the reliability that drivers demand out of their vehicles. It's the partnership between tough parts and the roads that test them. It's a focus on extending the life of your vehicle, no matter the make, so you can get the most out of your truck, trailer or bus.

What the TRP[®] logo means to you is confidence. Confidence that you're covered, no matter your make or vehicle. Confidence that the job will get done. And the confidence to take on whatever test may wait around the next turn.

DON'T SEE A PRODUCT YOU NEED?

Be sure to check with your local TRP®, Kenworth
or Peterbilt dealer for additional products,
pricing, and availability.

The TRP® Engine Parts Catalog contains information from
a variety of suppliers, including those listed below. All
brand-names, logos, images, information that came from
our suppliers and vendors are trademarked, registered and
property of that supplier.

TRP®

**American Power Source
Center Manufacturing, Inc.
Federal Mogul
Haldex
Illinois Auto Truck Co. Inc.
Interstate-McBee
Jacobs Vehicle Systems
PacBrake**

*To provide feedback on this TRP® Engine Parts Catalog,
please contact us at feedback@TRPParts.com.*

TRP® Engine Parts Catalog ©2013

All manufacturers' names, symbols, and descriptions are for reference
only. It is not implied that any part is the product of these manufacturers.

Caterpillar®, CAT® are registered trademarks of Caterpillar, Inc.

CATERPILLAR CHART

CATERPILLAR MODEL CHART AND SERIAL NUMBER LOCATION

SERIAL NUMBERS CONSIST OF A STRING OF ALPHANUMERIC CODE. THE SERIAL AND MODEL NUMBER IS LOCATED ON A METALLIC PLATE ON THE PASSENGER SIDE OF THE VALVE COVER. IF THE METALLIC PLATE IS MISSING, THE ENGINE SERIAL NUMBER IS STAMPED ON THE PASSENGER SIDE OF THE CYLINDER BLOCK, JUST BEHIND THE EXHAUST MANIFOLD.

PREFIXES FOR SELECTED CATERPILLAR ENGINE MODELS:

3406A	3406B	3406C	3406E	C15
3406A	3406B	3406C	3406E	C15
8SB	2EK	3ZJ	1LW	B5R
92U	3ZJ	4CK	1MM	BXS
	4CK	5KJ	2WS	JEP
	4MG		5DS	KRA
	5KJ		5EK	MHP
	5YG		6TS	MXS
	7FB			NXS
	8TC			RKS
				SDP
				TRB

PREFIXES FOR SELECTED CATERPILLAR REMANUFACTURED ENGINE MODELS:

3406A	3406B	3406C	3406E	C15
8SB	7XC		4AS	C2A

NOTE: Correct engine serial number and engine arrangement number are required for accurate parts identification.

OVERHAUL KITS

For all Inframe and Overhaul Kits and Parts, be sure to have your ESN available.

INFRAME KITS

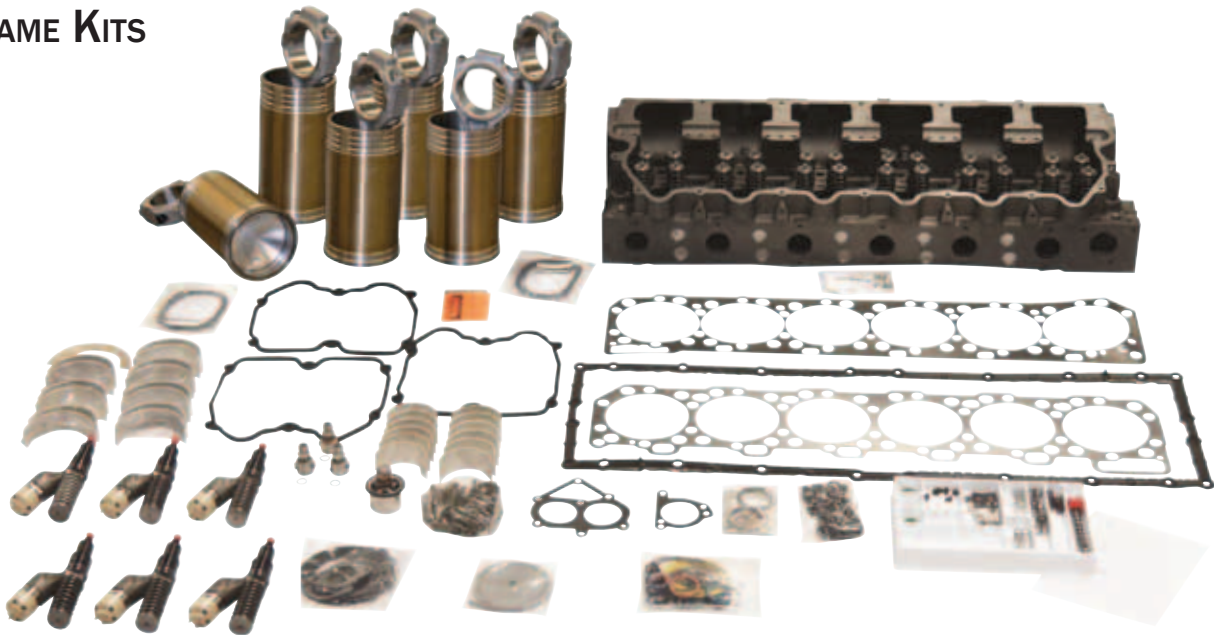


Table 1: Inframe Kits

Part No.	OEM No.	Description	UOM	Qty. Per Engine	SPQ	Comment
1807352C15MC1FCAT		Inframe Kit	EA	1	1	
MC1FC15E1CAT		Inframe Kit - Re-Ring, C15	EA	1	1	Kit Contains: Cylinder liner, Seals, Ring sets, Rod bearings, Main bearings, Thrust plates, Inframe gasket kit
MC1F1807352C15CAT	MC1F1807352C15	Inframe Overhaul Kit - C15	EA	1	1	

Table 2: Gaskets, Rings & Seals

Part No.	OEM No.	Description	UOM	Qty. Per Engine	SPQ	Comment
MCBC15212CAT		Inframe Gasket Set - For C15 Acert Applications	EA	1	1	
CBC15112CAT		Overhaul Inframe Gasket Set - C15	EA	1	1	Contains oil pan isolator seal

OVERHAUL PARTS

Table 3: Gaskets, Rings & Seals

Part No.	OEM No.	Description	UOM	Qty. Per Engine	SPQ
OVERHAUL					
MCBC15211CAT		Major Overhaul Gasket Set - For C15 Acert Applications	EA	1	1

CATERPILLAR
C15

AIR MANAGEMENT COMPONENTS

Quality Remanufactured Air Compressors, New and Remanufactured Turbochargers.

TURBOCHARGERS & COMPONENTS



Table 4: Turbochargers - Reman

Part No.	OEM No.	Description	UOM	Qty. Per Engine	SPQ
0R7578TRP	716269-0003	Reman Turbocharger - C15; Family GTA4294BS; 12 Fins On Compressor Side; 10 Fins On Turbine Side; Wastegate; Alternate # 164-9490, 190-6210	EA	1	1
0R7923TRP	704604-0011	Reman Turbocharger - C15; Family GTA4702BS; 12 Fins On Compressor Side; 10 Fins On Turbine Side; Wastegate; Alternate # 167-9271, 196-5951, 0R7310, 704604-0007	EA	1	1
10R2962TRP	732915-0003	Reman Turbocharger - C15; Family GTA4702BS; 12 Fins On Compressor Side; 10 Fins On Turbine Side; Wastegate; Alternate # 261-6857	EA	1	1

Table 5: Gaskets, Rings & Seals

Part No.	OEM No.	Description	UOM	Qty. Per Engine	SPQ
1978418CAT	1978418	Turbocharger Lines Gasket - 0.1 lbs/ 0.04 kgs	EA	1	1
1978419CAT	1978419	Turbocharger Oil Gasket - End Item Identification: Mrap M-Atv; 0.1 lbs/ 0.04 kgs	EA	1	1
19594JCB	19594	Turbocharger Gasket	EA	1	1

Table 6: Hardware

Part No.	OEM No.	Description	UOM	Qty. Per Engine	SPQ
BOLTS					
2N2765CAT	2N2765	Turbocharger Bolt - High Temp	EA	4	4

AIR COMPRESSORS & COMPONENTS



Image Courtesy of Bendix Commercial Vehicle Systems, LLC. All rights reserved.

Table 7: Air Compressors - Reman

Part No.	OEM No.	Description	UOM	Qty. Per Engine	SPQ
5002984BXR	5002984	Reman Air Compressor - TF 550; Rear End Cover Studs	EA	1	1
5002983BXR	5002983	Reman Air Compressor - TF 750; Rear End Cover Studs	EA	1	1

COOLING SYSTEM COMPONENTS

Quality Thermostats and Water Pumps and their related parts.

THERMOSTATS & COMPONENTS



Table 8: Thermostat Kits

Part No.	OEM No.	Description	UOM	Qty. Per Engine	SPQ
7C3095KTCAT		Thermostat Kit	EA	1	1

Table 9: Regulators

Part No.	OEM No.	Description	UOM	Qty. Per Engine	SPQ
2477133CAT	2477133	Temperature Regulator - 208°F	EA		1

Table 10: Gaskets, Rings & Seals

Part No.	OEM No.	Description	UOM	Qty. Per Engine	SPQ
1393550CAT	1393550	Regulator Housing Gasket	EA	1	1
1359819CAT	1359819	Filler Group Gasket	EA	1	1
4N1156CAT	4N1156	Thermostat Housing Gasket	EA	1	1

WATER PUMPS & COMPONENTS

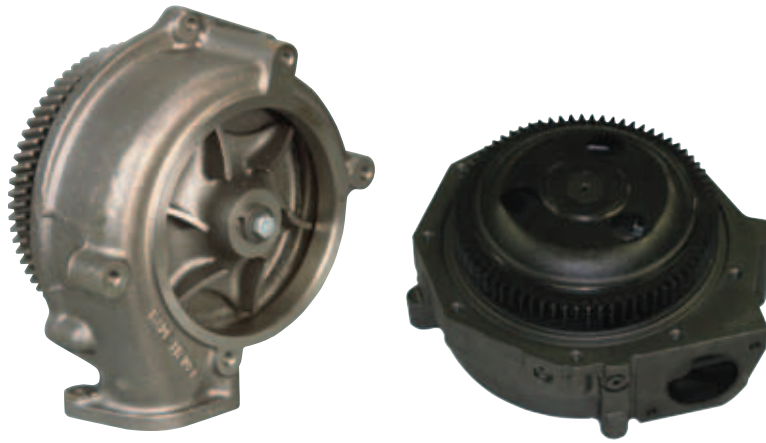


Table 11: Water Pumps - New

Part No.	OEM No.	Description	UOM	Qty. Per Engine	SPQ	Comment
1615719CAT	1615719	New Water Pump - Fits C15, 3406E	EA	1	1	
1615719CAT	1615719	New Water Pump - C15 - Dished Gear With Straight Teeth	EA	1	1	
1615719CAT	1615719	New Water Pump - C15	EA	1	1	Contains mounting seals and gaskets.

Table 12: Water Pumps - Reman

Part No.	OEM No.	Description	UOM	Qty. Per Engine	SPQ
RW6012XM1DRMAN	0R4120, 0R8330, 0R8218, 10R0483	Reman Water Pump	EA	1	1
RW6014XM1DRMAN	10R0484	Reman Water Pump - w/ Straight Teeth	EA	1	1

Table 13: Pump Shafts

Part No.	OEM No.	Description	UOM	Qty. Per Engine	SPQ
1354928CAT	135-4928	Water Pump Shaft	EA	1	1

Table 14: Gaskets, Rings & Seals

Part No.	OEM No.	Description	UOM	Qty. Per Engine	SPQ
9M3786CAT	9M-3786	Water Pump O-Ring Seal	EA		
4W4014CAT	4W4014	Water Outlet Housing Gasket - 6 Bolt	EA	1	1

Table 15: Hardware

Part No.	OEM No.	Description	UOM	Qty. Per Engine	SPQ
3E6772CAT	3E6772	Cylinder Head Water Grommet	EA	24	12
8H9204CAT	8H9204	Fuel Pump Felt Washer - 7/8" OD x 19/32" ID x 5/16" Thick	EA		6

CRANKSHAFTS & COMPONENTS

Quality new Crankshafts and related parts.

CRANKSHAFTS



Table 16: Crankshafts - Reman

Part No.	OEM No.	Description	UOM	Qty. Per Engine	SPQ
1601799CATR	1601799	Reman Crankshaft - Cat C15	EA	1	1

CRANKSHAFT PARTS

Table 17: Gaskets, Rings & Seals

Part No.	OEM No.	Description	UOM	Qty. Per Engine	SPQ
1425867CAT	1425867	Crankshaft Seal Gasket - Front, 0.7 lbs/ 0.31 kgs; 1 PC Seal And Wear Sleeve Combo	EA	1	1
1425868CAT	1425868	Crankshaft Seal - Rear, 0.7 lbs/ 0.31 kgs, 17mm Length, 5" Width, 17mm Depth; Flanged Face Sleeve	EA	1	1

CYLINDER COMPONENTS

Quality Cylinder Components located in the Engine Block.

CYLINDER PACKS & KITS

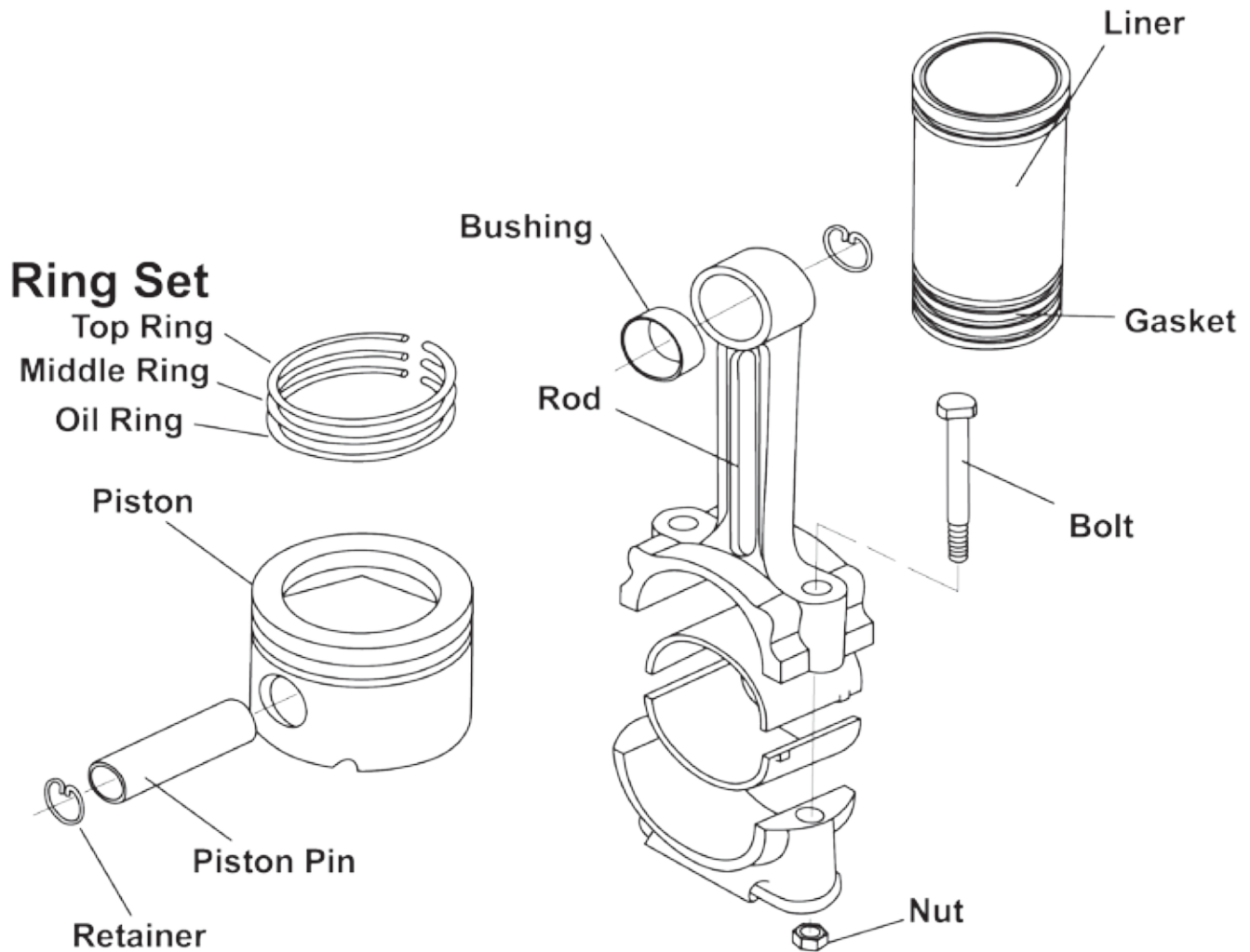


Table 18: Cylinder Packs

Part No.	OEM No.	Description	UOM	Qty. Per Engine	SPQ	Comment
10R3304CATR	10R3304	Cylinder Pack - C15, 1 PC Steel Piston; 18:1 CR	KIT	6	1	
10R3304CATR	10R3304	Cylinder Pack - C15, Low HP, 18:1 CR; 1 PC, Steel	KIT	6	1	

Caterpillar C15 Engine Parts

Part No.	OEM No.	Description	UOM	Qty. Per Engine	SPQ	Comment
0R8915CATR	0R8915	Cylinder Pack- 3406E & C-15, 16.6:1 Cr, Articulated Piston	KIT	1	1	Kit contains: Liner; Gasket set; Piston crown & skirt; Ring set; Piston pin; Pin bushing; (2) Retainers; Connecting rod; Dowel; Bushing; (2) Bolts; (2) Nuts

CONNECTING RODS & COMPONENTS

Table 19: Hardware

Part No.	OEM No.	Description	UOM	Qty. Per Engine	SPQ
BOLTS					
7E4195CAT	7E4195	Connecting Rod Bolt - C15, 3406	EA	12	1
PINS					
2296259CAT	2296259	Connecting Rod Bushing Pin - C15	EA	6	1

LINERS & COMPONENTS

Table 20: Liners

Part No.	OEM No.	Description	UOM	Qty. Per Engine	SPQ
1979322TRP	1979322	Cylinder Block Liner - 5.4 Bore	EA	6	1

Table 21: Gaskets, Rings & Seals

Part No.	OEM No.	Description	UOM	Qty. Per Engine	SPQ	Comment
9L5854CAT	9L5854	Cylinder Liner Band 3400; Upper Band Seal	EA	6	6	1 Required per Liner
1427072CAT	1427072	Cylinder Liner O-Ring Seal - 140.2mm ID, Coolant Seal	EA	6	6	

Part No.	OEM No.	Description	UOM	Qty. Per Engine	SPQ	Comment
1102220CAT	1102220	Cylinder Liner O-Ring Seal - Lower	EA	6	1	
1765749CAT	1765749	Intermediate Piston Ring	EA	6	1	
1899771CAT	189-9771	Oil Control Piston Ring - Intermediate: C15, 3406E	EA	6	1	

PISTONS & COMPONENTS

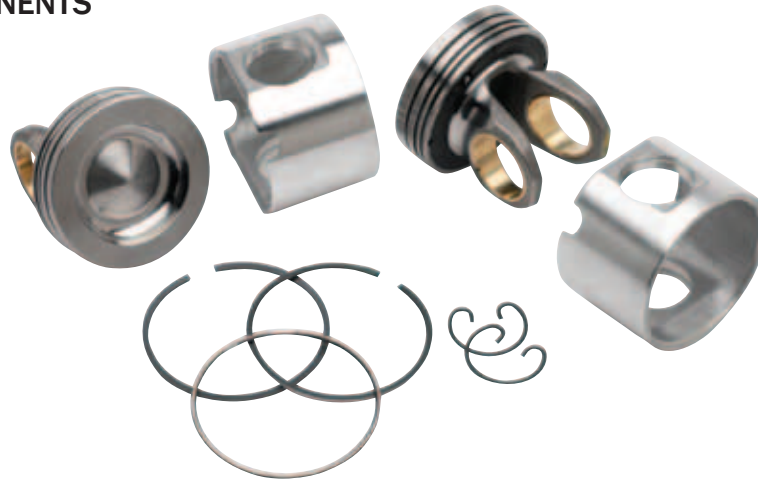


Table 22: Pistons

Part No.	OEM No.	Description	UOM	Qty. Per Engine	SPQ
1010016CAT	1010016	Piston - 2 PC Articulated Piston; Steel Crown & Aluminum Skirt	EA	6	1
1082716CAT	1082716M	Piston - w/o Pin, 1 PC Aluminum Piston	EA	6	6

Table 23: Crowns

Part No.	OEM No.	Description	UOM	Qty. Per Engine	SPQ
1807352CAT	1807352	Piston Crown - C15 - 2.165" Pin; 2 PC Articulated Steel Crown, Open Crown Gallery; 16.25:1 CR	EA	6	1
1807352CAT	1807352	Piston Crown - C15, 2 PC Articulated Piston w/ Steel Crown and Aluminum Skirt; 2.165 Pin; 16.6:1	EA	6	1

Caterpillar C15 Engine Parts

Table 24: Skirts

Part No.	OEM No.	Description	UOM	Qty. Per Engine	SPQ	Comment
1326663CAT	1326663	Piston Skirt - C15 - Skirt Used With Crowns 1807351 & 1807352	EA	6	1	
1300241CAT	1300241	Piston Skirt - 2 PC Articulated Piston; Aluminum Skirt	EA	6	1	
1326663CAT	1326663	Piston Skirt - C15 - 2 PC Articulated Piston; Aluminum Skirt	EA	6	1	
1326663CAT	1326663	Piston Skirt - C15	EA	6	1	Use with crowns 1807351 & 1807352

Table 25: Hardware

Part No.	OEM No.	Description	UOM	Qty. Per Engine	SPQ	Comment
PINS						
7E5665CAT	7E5665	Piston Retainer Pin; Use with 2.0 Pin Dia.	EA	12	2	Use With 2.000 Pin Diameter
7E1177CAT	7E1177	Piston Retainer Pin; Use with 2.165 Pin Dia.	EA	12	2	Use With 2.165 Pin Diameter

CYLINDER HEADS & COMPONENTS

Quality parts related specifically to the Cylinder Heads.

CYLINDER HEADS

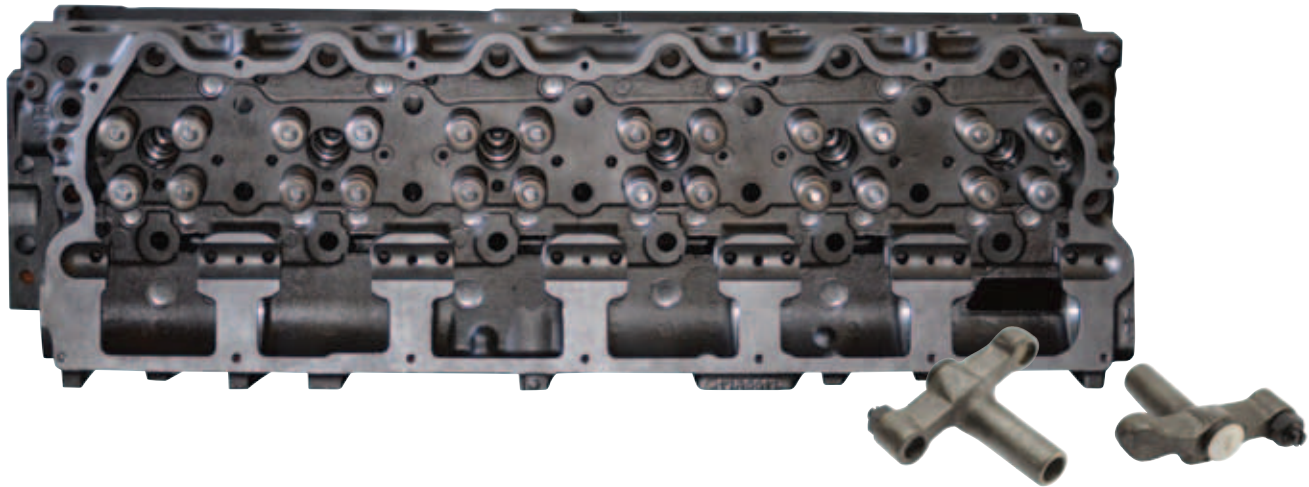


Table 26: Cylinder Heads

Part No.	OEM No.	Description	UOM	Qty. Per Engine	SPQ	Comment
10R3122BRCATR	10R-3122	Cylinder Head - Cat C15 Acert w/ Bridges	EA	1	1	Engine serial number and arrangement number required for accurate part identification
10R2108BRCATR	10R-2108	Cylinder Head - Cat C15 Acert w/ Bridges	EA	1	1	Engine serial number and arrangement number required for accurate part identification
10R4359BRCATR	10R-4359	Cylinder Head - Cat C15 w/ Bridges	EA	1	1	
10R3122CATR	10R3122	Cylinder Head - Cat C15, C18 Acert	EA	1	1	

Caterpillar C15 Engine Parts

Table 27: Valve Guides

Part No.	OEM No.	Description	UOM	Qty. Per Engine	SPQ
1227375CAT	1227375	Valve Intake & Exhaust Guide	EA	24	24

CYLINDER HEAD COMPONENTS

Table 28: Gaskets, Rings & Seals

Part No.	OEM No.	Description	UOM	Qty. Per Engine	SPQ	Comment
2245122CAT	2245122	Cylinder Head Gasket	EA	1	1	
8L2777CAT	8L2777	O-Ring Seal - 10.77mm ID x 2.62mm X-section Dia.	EA	4	12	Used in rocker arm assembly
MCBC15213CAT		Cylinder Head Gasket Set - For C15 Acert Applications	EA	1	1	
2341904CAT	2341904	Gasket Set - Cat, Front Structure	EA	1	1	Contains all gaskets and seals to replace front structure components.
2341877CAT	2341877	Gasket Set - Cat, Rear Structure	EA	1	1	Contains all gaskets and seals to replace rear structure components.
1559524CAT	1559524	Housing Cover Integral Seal - Front	EA		1	
5P5678-30CAT	5P5678-30	Valve Cover Seal - 1Bag = 30 Meters	EA	3	30	9 Meters required when equipped with Jake Brake
1632478CAT	1632478	Valve Stem Seal	EA	24	6	

Table 29: Hardware

Part No.	OEM No.	Description	UOM	Qty. Per Engine	SPQ	Comment
2818261CAT	2818261	Exhaust Sleeve Assembly - Exhaust Manifold to Cylinder Head, C15, 3406E	EA	6	1	

NUTS

2N2766CAT	2N2766	Exhaust Manifold Lock Nut	EA	12	12	
-----------	--------	---------------------------	----	----	----	--

Part No.	OEM No.	Description	UOM	Qty. Per Engine	SPQ	Comment
SPACERS						
1064159CAT	1064159	Exhaust Manifold Spacer - 11.13mm ID x 19.05mm OD x 13.5-mm Thick	EA	Varies	1	
1083612CAT	1083612	Exhaust Manifold Spacer - 11.13mm ID x 19.05mm OD x 53-mm Thick	EA	Varies	1	
STUDS						
MCBC15ESKCAT		Exhaust Manifold Stud Kit - C15, C16	EA	1	1	Kit Contains: (12) Exhaust Manifold locknut; (11) Exhaust Manifold Stud; (1) Exhaust Manifold Taperlock Stud; (11) Exhaust Manifold Spacer; (1) Exhaust Manifold Spacer; (12) Exhaust Manifold Washer
1061792CAT	1061792	Exhaust Manifold Stud	EA	6	6	
4S6137CAT	4S6137	Cylinder Head Exhaust Manifold Taperlock Stud - 0.1 lbs/ 0.4 kgs, 3/8" x 3.1"	EA	A/R	5	
1061793CAT	1061793	Exhaust Manifold Stud - Taperlock	EA	1	1	
WASHERS						
5M2894CAT	5M2894	Exhaust Manifold Washer - Steel 22/32" OD x 13/32" ID x 0.109" Thick	EA	Varies	4	
5H1504CAT	5H1504	Head Bolt Hard Washer	EA	Varies	6	

ENGINE BLOCKS & COMPONENTS

Quality Engine Block parts including Camshafts, Pistons and Oil Coolers.

ENGINE BLOCKS

Table 30: Engine Blocks

Part No.	OEM No.	Description	UOM	Qty. Per Engine	SPQ
2674631CATR	2674631	New Engine Block - Cat C15	EA	1	1

CAMSHAFTS & COMPONENTS



Table 31: Camshafts - Reman

Part No.	OEM No.	Description	UOM	Qty. Per Engine	SPQ
10R1534CATR	10R1534	Reman Camshaft - Cat C15	EA	1	1
10R3323CATR	10R3323	Reman Camshaft - C15 (Prefixes KRA, MXS, NXS, RKS, TRB)	EA	1	1

OIL COOLERS & COMPONENTS

Table 32: Oil Coolers

Part No.	OEM No.	Description	UOM	Qty. Per Engine	SPQ
1330125CAT	1330125	Oil Cooler - C15, 3406E	EA	1	1

INSTALL KITS

3483682CAT	3483682	Oil Cooler Installation Kit - C15, Use With C15 BXS, MXS & NXS Serial Prefixes	EA	1	1
------------	---------	--	----	---	---

OIL PANS

Table 33: Dipsticks

Part No.	OEM No.	Description	UOM	Qty. Per Engine	SPQ
40764-20	40764-20	Dipstick Assembly - 84" Long x 1" Handle x 1/4" Blade	EA	1	1

Table 34: Filler Caps

Part No.	OEM No.	Description	UOM	Qty. Per Engine	SPQ
44165-201	44165-201	Oil Filler Cap - 1-1/2"	EA	1	1
44209-20	44209-20	Oil Filler Cap - 1-3/8"	EA	1	1
44098-201	44098-201	Oil Filler Cap - 2"	EA	1	1

Table 35: Hardware

Part No.	OEM No.	Description	UOM	Qty. Per Engine	SPQ	Comment
BOLTS						
0L2070CAT	0L2070	Bolt - 3/8" x 2.25"	EA	Varies	10	Used on oil pan, front housing

RELATED PARTS

Table 36: Gaskets, Rings & Seals

Part No.	OEM No.	Description	UOM	Qty. Per Engine	SPQ
1685248CAT	1685248	Isolation Oil Pan Seal - Isolation Seal For Underframe Stiffener Plate	EA	1	1
1669144CAT	1669144	Housing Gasket - Front	EA	1	1

ENGINE BRAKES & COMPONENTS

Quality Engine Brake Components for the Caterpillar C15.

TUNE UP KITS

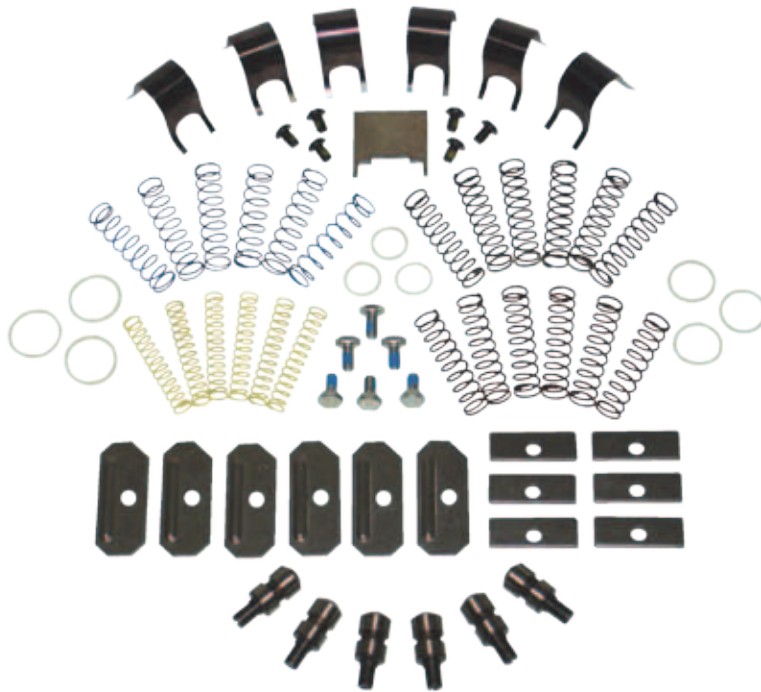


Table 37: Tune Up Kits

Part No.	OEM No.	Description	UOM	Qty. Per Engine	SPQ	Comment
19654JCB	143-6628	Tune Up Kit - 340 Series	EA	1	1	Crosses To Pacbrake P19654
14087JCB	143-6479	Tune Up Kit - 346 Series	KIT	1	1	

EXHAUST BRAKES

Table 38: Exhaust Brake Kits

Part No.	OEM No.	Description	UOM	Qty. Per Engine	SPQ
P39019		Engine Retarder Kit - P39E, C15 Acert	EA	1	1

Table 39: Exhaust Brakes

Part No.	OEM No.	Description	UOM	Qty. Per Engine	SPQ
25223JCB		Exhaust Brake Assembly - EX3126B	EA	1	1

ENGINE BRAKE PARTS

Table 40: Housings

Part No.	OEM No.	Description	UOM	Qty. Per Engine	SPQ
1033020JCB		Housing Assembly - 12VDC D/L	EA	1	1

Table 41: Switches

Part No.	OEM No.	Description	UOM	Qty. Per Engine	SPQ
12246JCB		Clutch Switch Assembly	EA	1	1
12261JCB		Clutch Switch	EA	1	1
19229JCB		Extarder Assembly	EA	1	1
18188JCB		Switch	EA	1	1
7671JCB		Switch Assembly - Negative Ground	EA	1	1

Table 42: Gaskets, Rings & Seals

Part No.	OEM No.	Description	UOM	Qty. Per Engine	SPQ
1082JCB		Center Ring Seal	EA	1	1
1083JCB		Lower Ring Seal	EA	1	1
2411JCB		O-Ring - 0.365" ID x 0.07" W	EA	1	1
20229JCB		Upper Ring Seal	EA	1	1

AIR CYLINDERS

Table 43: Air Cylinders

Part No.	OEM No.	Description	UOM	Qty. Per Engine	SPQ
28343JCB		Air Cylinder Replacement Group	EA	1	1

SOLENOIDS

Table 44: Solenoids - D/L

Part No.	OEM No.	Description	UOM	Qty. Per Engine	SPQ
1024610JCB	163-1533	Solenoid - 12VDC D/L H-Blade Package	EA	1	1

Table 45: Solenoids - S/L

Part No.	OEM No.	Description	UOM	Qty. Per Engine	SPQ
1024613JCB	148-2558, 163-1550	Solenoid - 12VDC S/L H-Blade Package	EA	1	1
1024614JCB	163-1547	Solenoid - 12VDC S/L V-Blade Package	EA	1	1
1024614JCB		Solenoid - 12VDC S/L V-Blade Package	EA	1	1

TERMINALS

Table 46: Terminals

Part No.	OEM No.	Description	UOM	Qty. Per Engine	SPQ
2299JCB		Leadout Terminal Assembly	EA	1	1

HARDWARE

Table 47: Push Rods

Part No.	OEM No.	Description	UOM	Qty. Per Engine	SPQ
18233JCB		Push Rod Slave Piston Assembly	KIT	1	1

ENGINE FLYWHEELS

Quality Engine Flywheels for the Caterpillar C15.

FLYWHEELS



Table 48: Flywheels

Part No.	OEM No.	Description	UOM	Qty. Per Engine	SPQ
4P4797TRP	4P4797	Flywheel - 15"	EA	1	1

FUEL SYSTEM COMPONENTS

Quality Fuel System components for the Caterpillar C15.

INJECTORS & COMPONENTS



Table 49: Injectors

Part No.	OEM No.	Description	UOM	Qty. Per Engine	SPQ
0R3587CATR	0R3587	Fuel Injector	EA	6	1
10R8502CATR	10R8502	Fuel Injector - 3406E, C15, C16	EA	6	1
10R8502CATR	10R8502	Fuel Injector - 3406E, C15, C16	EA	6	1

Table 50: Gaskets, Rings & Seals

Part No.	OEM No.	Description	UOM	Qty. Per Engine	SPQ	Comment
2481394CAT	2481394	External Injector Seal Kit - HEUI	EA	6	1	For 1 injector, Kit Contains: (Top Seal), (Middle Seal), & (Lower Seal)
2245797CAT	2245797	External Injector Seal Kit	EA	6	1	For 1 injector, Kit Contains: (Top Seal), (Middle Seal), & (Lower Seal)
9X7317CAT	9X7317	Fuel Injector External O-Ring Seal - C15, 3406E	EA	6	6	Center o-ring on injector
2303775CAT	2303775	Fuel Injector Group O-Ring Seal - C15, 3406E	EA	6	6	
9X7418CAT	9X7418	Fuel Injector O-Ring Seal - Middle, External	EA	6	1	
2153198CAT	2153198	Fuel Injector O-Ring Seal - External; Top Seal; C15, 3406E	EA	6	6	
9X7735CAT	9X7735	Fuel Injector O-Ring Seal - External	EA	6	6	

Caterpillar C15 Engine Parts

Table 51: Hardware

Part No.	OEM No.	Description	UOM	Qty. Per Engine	SPQ
BOLTS					
8S9191CAT	8S9191	Injector Hold Down Bolt - 3/8" x 4" - C15, 3406E	EA	6	2
SLEEVES					
2274239CAT	2274239	Injector Sleeve - C15, 3406E	EA	6	1

FUEL PUMPS & COMPONENTS

Table 52: Fuel Pumps

Part No.	OEM No.	Description	UOM	Qty. Per Engine	SPQ
1375541CAT	1375541	Fuel Priming Pump	EA	1	1

Caterpillar C15 Engine Parts

Part No.	OEM No.	Description	UOM	SPQ	Comment
1978419CAT	1978419	Oil Turbocharger Gasket - End Item Identification: Mrap M-Atv; 0.1 lbs/ 0.04 kgs	EA	1	
20229JCB		Upper Ring Seal	EA	1	
2153198CAT	2153198	Fuel Injector O-Ring Seal - Exterior; Top Seal; C15, 3406E	EA	6	
2245122CAT	2245122	Cylinder Head Gasket	EA	1	
2245797CAT	2245797	External Injector Seal Kit	EA	1	For 1 Injector: Kit Contains: (Top Seal), (Middle Seal), & (Lower Seal)
2303775CAT	2303775	Injector Group O-Ring Seal - C15, 3406E	EA	6	
2341877CAT	2341877	Gasket Set - Cat, Rear Structure	EA	1	Contains all gaskets and seals to replace rear structure components.
2341904CAT	2341904	Gasket Set - Cat, Front Structure	EA	1	Contains all gaskets and seals to replace front structure components.
2411JCB		O-Ring - 0.365" ID x 0.07" W	EA	1	
2481394CAT	2481394	External Injector Seal Kit - HEUI	EA	1	For 1 injector, Kit Contains: (Top Seal), (Middle Seal), & (Lower Seal)
4N1156CAT	4N1156	Thermostat Housing Gasket	EA	1	
4W4014CAT	4W4014	Water Outlet Housing Gasket - 6 Bolt	EA	1	
5P5678-30CAT	5P5678-30	Valve Cover Seal - 1Bag = 30 Meters	EA	30	9 Meters required when equipped with Jake Brake
8L2777CAT	8L2777	O-Ring Seal - 10.77mm ID x 2.62mm X-section Dia.	EA	12	Used in rocker arm assembly;
9L5854CAT	9L5854	Cylinder Liner Band 3400; Upper Band Seal;	EA	6	
9M3786CAT	9M-3786	Water Pump O-Ring Seal	EA		
9X7317CAT	9X7317	Fuel Injector External O-Ring Seal - C15, 3406E	EA	6	Center o-ring on injector
9X7418CAT	9X7418	Fuel Injector O-Ring Seal - Middle, External	EA	1	
9X7735CAT	9X7735	Fuel Injector O-Ring Seal - External,	EA	6	
CBC15112CAT		Overhaul Inframe Gasket Set - C15	EA	1	Contains oil pan isolator seal
MCBC-15211CAT		Major Overhaul Gasket Set - For C15 Acert Applications	EA	1	
MCBC-15212CAT		Inframe Gasket Set - For C15 Acert Applications	EA	1	
MCBC-15213CAT		Cylinder Head Gasket Set - For C15 Acert Applications	EA	1	



Table 54: Hardware

Part No.	OEM No.	Description	UOM	Qty. Per Engine	SPQ	Comment
BOLTS						
0L1143CAT	0L1143	Bolt - 3/8" x 2.5"	EA		6	
0L1352CAT	0L1352	Bolt - 3/8" x 3.25"	EA		10	Used with Air Compressor and Water
0L2070CAT	0L2070	Bolt - 3/8" x 2.25"	EA		10	Used on oil pan, front housing,
0S1571CAT	0S1571	Bolt - 3/8" x 1.25"	EA		10	
2N2765CAT	2N2765	Turbocharger Bolt - High Temp	EA		4	
5H1504CAT	5H1504	Head Bolt Hard Washer	EA		6	
7E4195CAT	7E4195	Connecting Rod Bolt - C15, 3406	EA		1	
8S9191CAT	8S9191	Injector Hold Down Bolt - 3/8" x 4" - C15, 3406E	EA		2	
GROMMETS						
3E6772CAT	3E6772	Cylinder Head Water Grommet	EA		12	
NUTS						
2N2766CAT	2N2766	Exhaust Manifold Lock Nut	EA		12	
PINS						
2296259CAT	2296259	Connecting Rod Bushing Pin - C15	EA		1	
SPACERS						
1064159CAT	1064159	Exhaust Manifold Spacer - 11.13mm ID x 19.05mm OD x 13.5-mm Thick	EA		1	

Caterpillar C15 Engine Parts

Part No.	OEM No.	Description	UOM	Qty. Per Engine	SPQ	Comment
1083612CAT	1083612	Exhaust Manifold Spacer - 11.13mm ID x 19.05mm OD x 53-mm Thick	EA		1	
STUDS						
1061792CAT	1061792	Exhaust Manifold Stud	EA		6	
1061793CAT	1061793	Exhaust Manifold Stud - Taperlock	EA		1	
4S6137CAT	4S6137	Cylinder Head Exhaust Manifold Taperlock Stud - 0.1 lbs/ 0.4 kgs, 3/8" x 3.1"	EA		5	
MCB-C15ESKCAT		Exhaust Manifold Stud Kit - C15, C16	EA		1	Kit contains: (12) Exhaust Manifold locknut; (11) Exhaust Manifold Stud; (1) Exhaust Manifold Taperlock Stud; (11) Exhaust Manifold Spacer; (1) Exhaust Manifold Spacer; (12) Exhaust Manifold Washer
WASHERS						
5M2894CAT	5M2894	Exhaust Manifold Washer - Steel 22/32" OD x 13/32" ID x 0.109" Thick	EA		4	
8H9204CAT	8H9204	Fuel Pump Felt Washer - 7/8" OD x 19/32" ID x 5/16" Thick	EA		6	

CATERPILLAR
C15

CROSS REFERENCE

Table 55: OEM/ MFR Cross Reference

OEM/ MFR No.	Part No.	Page No.
0L1143	0L1143CAT	33
0L1352	0L1352CAT	33
0L2070	0L2070CAT	23
0R3587	0R3587CATR	29
0R4120	RW6012XM1DRMAN	12
0R8218	RW6012XM1DRMAN	12
0R8330	RW6012XM1DRMAN	12
0R8340	5002984BXR	10
0R8340	5002984BXR	10
0R8442	5002983BXR	10
0R8442	5002983BXR	10
0R8442	5002983BXR	10
0R8442	5002983BXR	10
0R8915	0R8915CATR	16
0S1571	0S1571CAT	33
1010016	1010016CAT	17
1024612	1024613JCB	26
1024612	1024614JCB	26
1024613	1024613JCB	26
1033020	1033020JCB	25
1061792	1061792CAT	21
1061793	1061793CAT	21
1064159	1064159CAT	21
1082	1082JCB	25
1082	1082JCB	25
1082716M	1082716CAT	17
1083	1083JCB	25
1083	1083JCB	25
1083612	1083612CAT	21
10R0483	RW6012XM1DRMAN	12
10R0484	RW6014XM1DRMAN	12
10R1534	10R1534CATR	22
10R-2108	10R2108BRCATR	19

OEM/ MFR No.	Part No.	Page No.
10R3122	10R3122CATR	19
10R-3122	10R3122BRCATR	19
10R3304	10R3304CATR	15
10R3323	10R3323CATR	22
10R-4359	10R4359BRCATR	19
10R4359BR	10R4359BRCATR	19
10R8502	10R8502CATR	29
1102220	1102220CAT	17
12246	12246JCB	25
12246	12246JCB	25
12261	12261JCB	25
1227375	1227375CAT	20
1300241	1300241CAT	18
1326663	1326663CAT	18
1330125	1330125CAT	22
135-4928	1354928CAT	12
1359819	1359819CAT	11
1375541	1375541CAT	30
1393550	1393550CAT	11
14087	14087JCB	24
1425867	1425867CAT	14
1425868	1425868CAT	14
1427072	1427072CAT	16
1436455	12246JCB	25
143-6455	12246JCB	25
143-6455	12246JCB	25
1436456	12261JCB	25
143-6456	12261JCB	25
143-6456	12261JCB	25
1436479	14087JCB	24
143-6479	14087JCB	24
143-6479	14087JCB	24
1436590	18233JCB	27
143-6590	18233JCB	27
1436628	19654JCB	24
143-6628	19654JCB	24
1436642	20229JCB	25

Caterpillar C15 Engine Parts

OEM/ MFR No.	Part No.	Page No.
143-6642	20229JCB	25
148-2558	1024613JCB	26
1559524	1559524CAT	20
1564162	25223JCB	25
156-4162	25223JCB	25
1601799	1601799CATR	14
1615719	1615719CAT	12
1631533	1024610JCB	26
163-1533	1024610JCB	26
1631547	1024614JCB	26
163-1547	1024614JCB	26
1631550	1024613JCB	26
163-1550	1024613JCB	26
1632478	1632478CAT	20
1669144	1669144CAT	23
1685248	1685248CAT	23
1765749	1765749CAT	17
1779601	28343JCB	26
177-9601	28343JCB	26
177-9601	28343JCB	26
1807352	1807352CAT	17
18188	18188JCB	25
18233	18233JCB	27
189-9771	1899771CAT	17
19229	19229JCB	25
19594	19594JCB	9
19654	19654JCB	24
1978418	1978418CAT	9
1978419	1978419CAT	9
1979322	1979322TRP	16
1Q9830	18188JCB	25
1Q-9830	18188JCB	25
20229	20229JCB	25
2153198	2153198CAT	29
2245122	2245122CAT	20
2245797	2245797CAT	29
2274239	2274239CAT	30

OEM/ MFR No.	Part No.	Page No.
2296259	2296259CAT	16
2299	2299JCB	26
2299	2299JCB	26
2303775	2303775CAT	29
2341877	2341877CAT	20
2341904	2341904CAT	20
2411	2411JCB	25
2420840	1033020JCB	25
242-0840	1033020JCB	25
2477133	2477133CAT	11
2481394	2481394CAT	29
25223	25223JCB	25
2674631	2674631CATR	22
2818261	2818261CAT	20
28343	28343JCB	26
2N2765	2N2765CAT	10
2N2766	2N2766CAT	20
2U1492	1082JCB	25
2U-1492	1082JCB	25
2U1493	1083JCB	25
2U-1493	1083JCB	25
3483682	3483682CAT	22
3E6772	3E6772CAT	13
4N1156	4N1156CAT	11
4S6137	4S6137CAT	21
4W4014	4W4014CAT	13
5002983	5002983BXR	10
5002983	5002983BXR	10
5002984	5002984BXR	10
5002984	5002984BXR	10
5002984	5002984BXR	10
5002984	5002984BXR	10
5H1504	5H1504CAT	21
5M2894	5M2894CAT	21
5P5678-30	5P5678-30CAT	20
704604-0011	OR7923TRP	9
716269-0003	OR7578TRP	9

OEM/ MFR No.	Part No.	Page No.
732915-0003	10R2962TRP	9
7671	7671JCB	25
7C0031	2411JCB	25
7C-0031	2411JCB	25
7E1177	7E1177CAT	18
7E4195	7E4195CAT	16
7E5665	7E5665CAT	18
8H9204	8H9204CAT	13
8L2777	8L2777CAT	20
8S9191	8S9191CAT	30
9L5854	9L5854CAT	16
9M-3786	9M3786CAT	13
9X7317	9X7317CAT	29
9X7418	9X7418CAT	29
9X7735	9X7735CAT	29
MC1F1807352C15	MC1F1807352C-15CAT	7

The parts listed in this catalog are representative of the engine parts available, but not all inclusive of current and/ or future offerings.

PART NUMBER INDEX

1807352C15MC1FCAT	7	10R0484.....	12	1807352.....	17
MC1FC15E1CAT	7	1354928CAT.....	12	1807352CAT	17
MC1F1807352C15CAT	7	135-4928	12	1807352.....	17
MC1F1807352C15	7	9M3786CAT	13	1326663CAT.....	18
MCBC15212CAT.....	7	9M-3786.....	13	1326663.....	18
CBC15112CAT.....	7	4W4014CAT	13	1300241CAT	18
MCBC15211CAT.....	8	4W4014	13	1300241	18
OR7578TRP.....	9	3E6772CAT	13	1326663CAT.....	18
716269-0003	9	3E6772	13	1326663.....	18
OR7923TRP.....	9	8H9204CAT.....	13	1326663CAT.....	18
704604-0011	9	8H9204.....	13	1326663.....	18
10R2962TRP.....	9	1601799CATR	14	7E5665CAT	18
732915-0003	9	1601799	14	7E5665.....	18
1978418CAT	9	1425867CAT.....	14	7E1177CAT.....	18
1978418	9	1425867.....	14	7E1177	18
1978419CAT	9	1425868CAT.....	14	10R3122BRCATR	19
1978419	9	1425868.....	14	10R-3122.....	19
19594JCB	9	10R3304CATR.....	15	10R2108BRCATR.....	19
19594	9	10R3304.....	15	10R-2108.....	19
2N2765CAT	10	10R3304CATR.....	15	10R4359BRCATR	19
2N2765	10	10R3304.....	15	10R-4359	19
5002984BXR	10	0R8915CATR.....	16	10R3122CATR.....	19
5002984.....	10	0R8915	16	10R3122.....	19
5002983BXR	10	7E4195CAT.....	16	1227375CAT	20
5002983.....	10	7E4195	16	1227375.....	20
7C3095KTCAT.....	11	2296259CAT.....	16	2245122CAT	20
2477133CAT	11	2296259.....	16	2245122	20
2477133	11	1979322TRP.....	16	8L2777CAT.....	20
1393550CAT.....	11	1979322	16	8L2777	20
1393550.....	11	9L5854CAT	16	MCBC15213CAT.....	20
1359819CAT	11	9L5854	16	2341904CAT	20
1359819	11	1427072CAT	16	2341904.....	20
4N1156CAT	11	1427072	16	2341877CAT	20
4N1156.....	11	1102220CAT	17	2341877	20
1615719CAT.....	12	1102220	17	1559524CAT	20
1615719	12	1765749CAT.....	17	1559524.....	20
1615719CAT.....	12	1765749	17	5P5678-30CAT.....	20
1615719	12	1899771CAT	17	5P5678-30	20
1615719CAT.....	12	189-9771.....	17	1632478CAT	20
1615719	12	1010016CAT.....	17	1632478	20
RW6012XM1DRMAN	12	1010016	17	2818261CAT	20
OR4120, OR8330, OR8218,		1082716CAT	17	2818261.....	20
10R0483.....	12	1082716M	17	2N2766CAT	20
RW6014XM1DRMAN	12	1807352CAT.....	17	2N2766.....	20

1064159CAT	21	18188JCB	25	1359819	31
1064159	21	7671JCB.....	25	1393550CAT.....	31
1083612CAT	21	1082JCB	25	1393550.....	31
1083612	21	1083JCB	25	1425867CAT	31
MCBC15ESKCAT	21	2411JCB.....	25	1425867	31
1061792CAT	21	20229JCB	25	1425868CAT	31
1061792	21	28343JCB	26	1425868.....	31
4S6137CAT	21	1024610JCB	26	1427072CAT	31
4S6137	21	163-1533.....	26	1427072	31
1061793CAT	21	1024613JCB	26	1559524CAT	31
1061793	21	148-2558, 163-1550	26	1559524.....	31
5M2894CAT	21	1024614JCB	26	1632478CAT	31
5M2894	21	163-1547	26	1632478	31
5H1504CAT	21	1024614JCB	26	1669144CAT	31
5H1504.....	21	2299JCB	26	1669144	31
2674631CATR	22	18233JCB	27	1685248CAT	31
2674631	22	4P4797TRP	28	1685248.....	31
10R1534CATR.....	22	4P4797	28	1765749CAT.....	31
10R1534.....	22	OR3587CATR.....	29	1765749	31
10R3323CATR.....	22	OR3587	29	1899771CAT	31
10R3323.....	22	10R8502CATR.....	29	189-9771.....	31
1330125CAT	22	10R8502.....	29	19594JCB	31
1330125.....	22	10R8502CATR.....	29	19594	31
3483682CAT	22	10R8502.....	29	1978418CAT	31
3483682.....	22	2481394CAT	29	1978418	31
40764-20.....	23	2481394	29	1978419CAT	32
40764-20.....	23	2245797CAT	29	1978419	32
44165-201.....	23	2245797	29	20229JCB	32
44165-201.....	23	9X7317CAT.....	29	2153198CAT	32
44209-20	23	9X7317	29	2153198	32
44209-20	23	2303775CAT	29	2245122CAT	32
44098-201	23	2303775.....	29	2245122	32
44098-201	23	9X7418CAT	29	2245797CAT	32
0L2070CAT.....	23	9X7418.....	29	2245797	32
0L2070	23	2153198CAT	29	2303775CAT	32
1685248CAT	23	2153198	29	2303775.....	32
1685248.....	23	9X7735CAT	29	2341877CAT	32
1669144CAT	23	9X7735	29	2341877	32
1669144	23	8S9191CAT	30	2341904CAT	32
19654JCB	24	8S9191	30	2341904.....	32
143-6628.....	24	2274239CAT	30	2411JCB.....	32
14087JCB	24	2274239	30	2481394CAT	32
143-6479.....	24	1375541CAT	30	2481394.....	32
P39019	24	1375541	30	4N1156CAT	32
25223JCB	25	1082JCB	31	4N1156.....	32
1033020JCB	25	1083JCB	31	4W4014CAT	32
12246JCB	25	1102220CAT	31	4W4014	32
12261JCB	25	1102220	31	5P5678-30CAT.....	32
19229JCB	25	1359819CAT	31	5P5678-30	32

8L2777CAT.....	32	5M2894CAT	34
8L2777	32	5M2894.....	34
9L5854CAT	32	8H9204CAT.....	34
9L5854	32	8H9204.....	34
9M3786CAT	32		
9M-3786.....	32		
9X7317CAT.....	32		
9X7317	32		
9X7418CAT	32		
9X7418.....	32		
9X7735CAT	32		
9X7735	32		
CBC15112CAT.....	32		
MCBC15211CAT.....	32		
MCBC15212CAT.....	32		
MCBC15213CAT.....	32		
0L1143CAT.....	33		
0L1143	33		
0L1352CAT	33		
0L1352	33		
0L2070CAT.....	33		
0L2070	33		
0S1571CAT	33		
0S1571	33		
2N2765CAT	33		
2N2765.....	33		
5H1504CAT	33		
5H1504.....	33		
7E4195CAT.....	33		
7E4195	33		
8S9191CAT	33		
8S9191	33		
3E6772CAT	33		
3E6772	33		
2N2766CAT	33		
2N2766.....	33		
2296259CAT.....	33		
2296259.....	33		
1064159CAT	33		
1064159	33		
1083612CAT	34		
1083612	34		
1061792CAT	34		
1061792	34		
1061793CAT	34		
1061793	34		
4S6137CAT	34		
4S6137	34		
MCBC15ESKCAT.....	34		

SUBJECT INDEX

A

Air Management Components 9

C

Cooling System Components..... 11

Crankshafts & Components 14

Cylinder Components..... 15

Cylinder Heads & Components..... 19

E

Engine Blocks & Components..... 22

Engine Brakes & Components 24

Engine Flywheels 28

Engine Parts..... 31

F

Fuel System Components..... 29

O

Overhaul Kits..... 7

TABLES

Overhaul Kits

Table 1: Inframe Kits.....	7
Table 2: Gaskets, Rings & Seals.....	7
Table 3: Gaskets, Rings & Seals.....	8

Air Management Components

Table 4: Turbochargers - Reman.....	9
Table 5: Gaskets, Rings & Seals.....	9
Table 6: Hardware.....	10
Table 7: Air Compressors - Reman.....	10

Cooling System Components

Table 8: Thermostat Kits.....	11
Table 9: Regulators.....	11
Table 10: Gaskets, Rings & Seals.....	11
Table 11: Water Pumps - New.....	12
Table 12: Water Pumps - Reman.....	12
Table 13: Pump Shafts.....	12
Table 14: Gaskets, Rings & Seals.....	13
Table 15: Hardware.....	13

Crankshafts & Components

Table 16: Crankshafts - Reman.....	14
Table 17: Gaskets, Rings & Seals.....	14

Cylinder Components

Table 18: Cylinder Packs.....	15
Table 19: Hardware.....	16
Table 20: Liners.....	16
Table 21: Gaskets, Rings & Seals.....	16
Table 22: Pistons.....	17
Table 23: Crowns.....	17
Table 24: Skirts.....	18
Table 25: Hardware.....	18

Cylinder Heads & Components

Table 26: Cylinder Heads.....	19
Table 27: Valve Guides.....	20
Table 28: Gaskets, Rings & Seals.....	20
Table 29: Hardware.....	20

Engine Blocks & Components

Table 30: Engine Blocks.....	22
Table 31: Camshafts - Reman.....	22
Table 32: Oil Coolers.....	22
Table 33: Dipsticks.....	23
Table 34: Filler Caps.....	23
Table 35: Hardware.....	23
Table 36: Gaskets, Rings & Seals.....	23

Engine Brakes & Components

Table 37: Tune Up Kits.....	24
Table 38: Exhaust Brake Kits.....	24
Table 39: Exhaust Brakes.....	25
Table 40: Housings.....	25
Table 41: Switches.....	25
Table 42: Gaskets, Rings & Seals.....	25
Table 43: Air Cylinders.....	26
Table 44: Solenoids - D/L.....	26
Table 45: Solenoids - S/L.....	26
Table 46: Terminals.....	26
Table 47: Push Rods.....	27

Engine Flywheels

Table 48: Flywheels.....	28
Table 49: Injectors.....	29
Table 50: Gaskets, Rings & Seals.....	29

Fuel System Components

Table 51: Hardware.....	30
Table 52: Fuel Pumps.....	30

Engine Parts

Table 53: Gaskets, Rings & Seals.....	31
Table 54: Hardware.....	33

Cross Reference

Table 55: OEM/ MFR Cross Reference...	35
---------------------------------------	----

NOTES

A large grid area for taking notes, consisting of approximately 25 columns and 35 rows of small squares.



*For information, updates, or corrections,
please contact us at feedback@TRPParts.com*

*No part of this marketing material may be
reproduced in any manner without written
permission from TRP® North America.*

TRP® North America

750 Houser Way N.
Renton, WA 98057

www.trpparts.com